

STAINLESS STEEL WATER METER

Stainless steel water meter is hygienic and environment-friendly, has no secondary pollution, is acid and alkali resistant, will not produce corrosion and exudation at high and low temperatures, is safe and reliable, and meets the food hygiene standard. It is a new product of environmental protection and energy saving. And longer service life, can be installed in harsh environment.

Supplied conditions :

Size: DN15-DN300

Body: SS304, SS316, SS316L (optional)

Type: Dry dial/wet dial (optional)

Max work pressure: PN16/PN10 (optional)

Pressure loss: ≤ 0.063 Mpa

Water temperature: T30, T50, T90 (optional)

Standards: ISO4064.class B

R: R80/R100/(R=Q3/Q1) (optional)

Install: Horizontal use



Characteristics :

- ◆ Stainless steel water meter, corrosion resistance, acid resistance.
- ◆ More hygienic, Longer service life.
- ◆ Support OEM
- ◆ Proven multi-jet flow meter design
- ◆ Dry dial, Magnetic transmission structure.
- ◆ Antimagnetic, Antifreezing
- ◆ Vacuum sealed counter, keep clear in long term.
- ◆ ISO4064, Class B
- ◆ Remote transmission device can be added upon request

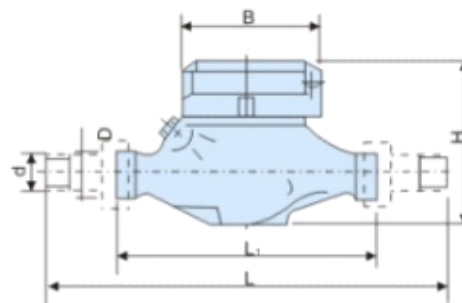


Technical parameter :

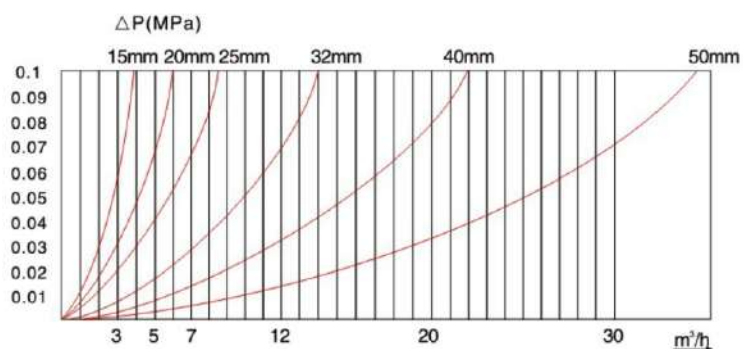
DN (mm)	Class	Maximum flow Q4	Common flow Q3	Boundary flow Q2	Minimum flow Q1	Minimum reading	Maximum reading
		m ³ /h				m ³	
DN15	B	3.125	2.5	0.05	0.03125	0.0001	99999
DN20	B	5	4	0.08	0.05	0.0001	99999
DN25	B	7.875	6.3	0.126	0.07875	0.0001	99999
DN32	B	12.5	10	0.2	0.125	0.0001	99999
DN40	B	20	16	0.32	0.2	0.001	99999
DN50	B	31.25	25	3.15	0.5	0.001	99999

Size and Weight :

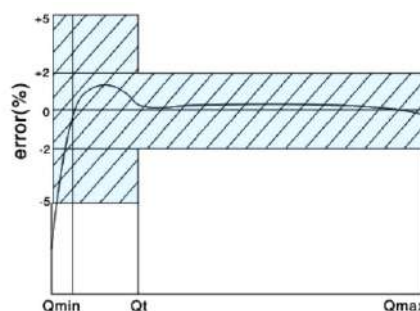
DN (mm)	Length L1 (mm)	Width B (mm)	Height H (mm)	Threaded Connection		Weight (kg)
				d	D	
DN15	165	98	114	R1/2	G3/4	1.2
DN20	195	98	114	R3/4	G1	1.6
DN25	225	103	114	R1	G1 1/4	2.6
DN32	230	103	114	R1 1/4	G1 1/2	3.2
DN40	245	125	144	R1 1/2	G2	4.5
DN50	300	135	155	R2	G2 1/2	7



Data error curve :



Flow error curve:



A. Slow flow ($Q_1 \leq Q < Q_2$) , Max permissible errors: $\pm 5\%$

B. Water temperature $\leq 30^\circ\text{C}$, Fast flow ($Q_2 \leq Q \leq Q_4$) , Max permissible errors: $\pm 2\%$

Water temperature $> 30^\circ\text{C}$, Fast flow ($Q_2 \leq Q \leq Q_4$) , Max permissible errors: $\pm 3\%$

SHENGDA

Fluid technology

Kaifeng Shengda Water Meter Co., Ltd

✉ admin@henanpanda.com

☎ mobile +86 18603780816

🌐 www.sdflowmeter.com