

Multi-jet water meter Model: LXSG-15-50

LXSG-15-50 multi jet Water meter is used for measuring the total volume of tap water flowing through closed pipes. the register can be made into dry or wet types, the body can be produced by stainless steel, brass, cast iron, plastic. size from DN15~DN50. Support OEM

Key Features

Proven multi-jet flow meter design

Antimagnetic, Antifreezing

Vacuum sealed counter, keep clear in long term:

Accuracy: ISO4064.class B

R80/R100/R160(R=Q3/Q1)(optional)

Install: Horizontal use/Vertical use

Max work pressure: PN16/PN10(optional)

Pressure loss: ≤ 0.063 Mpa

Water temperature: T30,T50,T90(optional)

Body: Brass/iron/stainless steel/plastic/Nylon(optional)

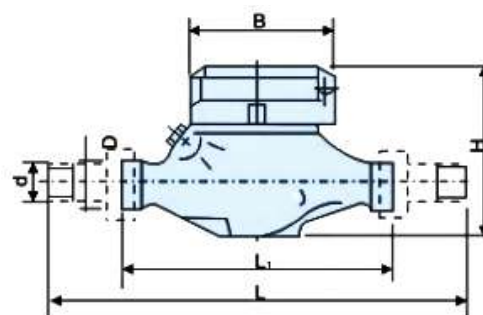


Key Technical Specification

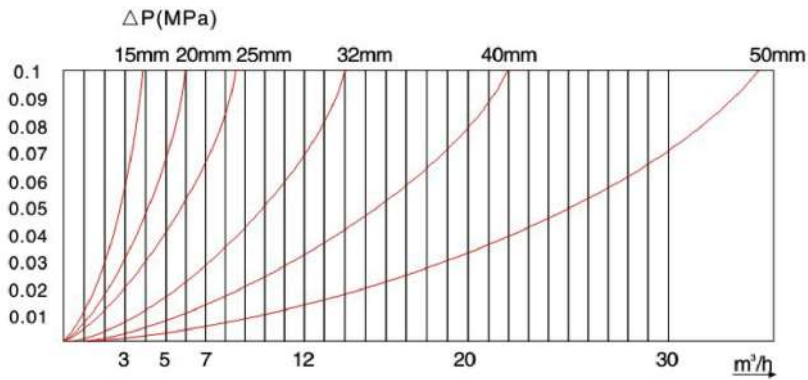
Diameter (mm)	Class	Q4(m³/h)	Q3 (m³/h)	Q2 (m³/h)	Q1 (m³/h)	Min. Reading(m³)	Max. Reading(m³)
DN15	B	3.125	2.5	0.05	0.03125	0.0001	99999
DN20	B	5	4	0.08	0.05	0.0001	99999
DN25	B	7.875	6.3	0.126	0.07875	0.0001	99999
DN32	B	12.5	10	0.2	0.125	0.0001	99999
DN40	B	20	16	0.32	0.2	0.001	99999
DN50	B	31.25	25	3.15	0.5	0.001	99999

Size and Weight:

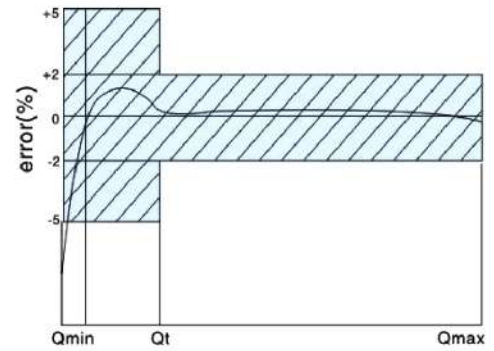
Diameter	DN	15	20	25	32	40	50
Length	L1 (mm)	165	195	225	230	245	300
Width	B (mm)	98	98	103	103	125	135
Height	H (mm)	114	114	114	114	144	155
Threaded Connection	d	R1/2	R3/4	R1	R1 1/4	R1 ½	R2
	D	G3/4	G1	G1 1/4	G1 1/2	G2	G2 ½
Weight	kg	1.2	1.6	2.6	3.2	4.5	7



Flow error curve:



Data error curve:

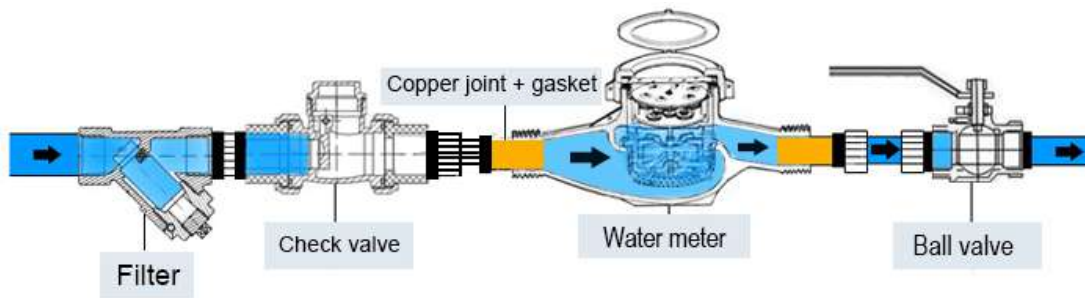


A. Slow flow ($Q_1 \leq Q < Q_2$) , Max permissible errors: $\pm 5\%$

B. Water temperature $\leq 30^\circ\text{C}$, Fast flow ($Q_2 \leq Q \leq Q_4$) , Max permissible errors: $\pm 2\%$

Water temperature $> 30^\circ\text{C}$, Fast flow ($Q_2 \leq Q \leq Q_4$) , Max permissible errors: $\pm 3\%$

Water meter installation diagram:



Shengda Water Meter since 1995

Established in 1995, Shengda Water Meter Co., Ltd is one of leading manufacturer of water meters and flow meters in China. The company also provides total solutions for smart flow metering, control, telemetry and smart water meter reading system.



SHE'NGDA
Fluid technology

Kaifeng Shengda Water Meter Co., Ltd

✉ admin@henanpanda.com

☎ mobile +86 18603780816

🌐 www.sdflovmeter.com