

# Volumetric Water Meter

The measurement of volumetric water meter is more accurate than that of multi jet water meter. The measurement error of multi jet water meter will have an error of  $\pm 2\%$ , while the error of volumetric water meter can be controlled at the level of  $\pm 0.5\%$  or even lower.

## Supply condition:

Size:DN15, DN20

Max work pressure:PN16

Pressure loss:  $\leq 0.063$ Mpa

Water temperature:T30, T50

Standards:ISO4064.Class C

R:R160(R=Q3/Q1)(optional)

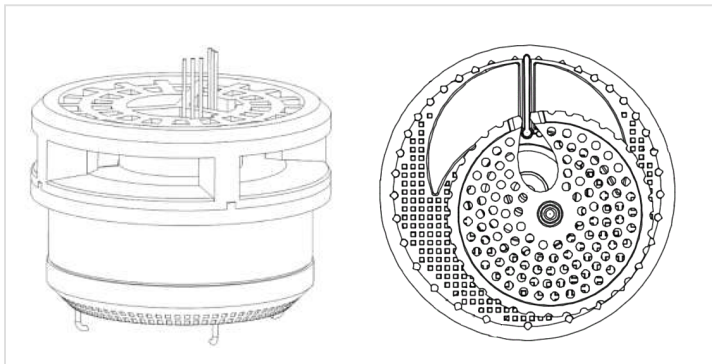
Install:Horizontal, Vertical or inclined

Connection method: BSP Thread

Body can be choose brass,brass with primer and ABS.

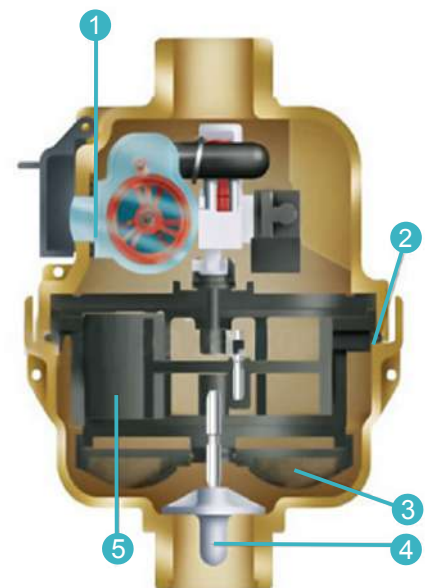
Adopt volumetric rotary piston, more accurate for measurement;

- ◆ Better sensitivity
- ◆ Large flow range
- ◆ Multi angle installation
- ◆ **Remote transmission device can be added upon request**



## Inner structure of the water meter:

- ① Easy to read register
- ② "o" ring seal
- ③ Strainer
- ④ Optional non-return valve
- ⑤ Grooved piston design gives long working life and reduces blockages



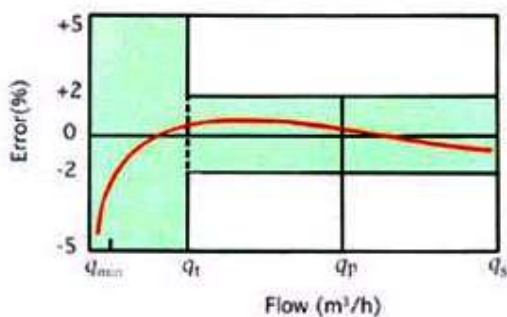
Code	Description	Quantity
1	Nut	2
2	Coupling	2
3	Gasket	2
4	Copper Wire	1
5	Seal lead	1
6	Bottom Body	1
7	O-ring	1
8	Non-return Valve	1
9A	Strainer	1
9B	Chamber	1
9C	Bush	1
9D	Division plate	1
9E	Piston	1
9F	Cover	1
10	Clamp frame	1
11	Spring	1
12	Clamp slider	1
13	Transmission assembly	1
14	Register	1
15	O-ring	1
16	Upper body	1
17	Lid	1
18	Hinge pin	1



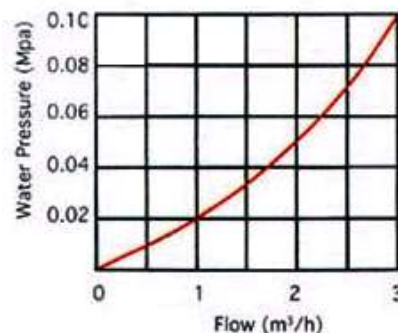
## Main metrological parameters:

Size	Class	R(Q3/Q1)	Q4(m <sup>3</sup> /H)	Q3(m <sup>3</sup> /H)	Q2(L/H)	Q1(L/H)
DN15	C	160	3.125	2.5	25	15.625

Flow Error curve



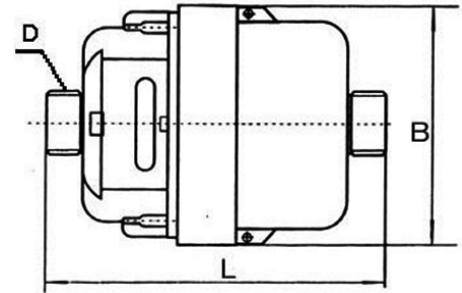
Head Loss curve



(1) In the lower zone from  $q_{min}$  inclusive up to but excluding  $q_t$  is  $\pm 5\%$ ;  
(2) In the upper zone from  $q_t$  inclusive up to and including  $q_s$  is  $\pm 2\%$ .

## Water Meter Size and Packing Details:

Size	Length (mm)	Broad/Width (mm)	Connection thread	Weight (kg)
DN15	115	95	G3/4B	1



Size	Product Size (cm)	Product Weight (kg)	Packages in 1 carton	Carton size (cm)	Total weight for 1 carton(kg)
DN15	11.5*20.9*9	1.1	10	44.5*26.5*12	11

## Shengda Water Meter since 1995

Established in 1995, Shengda Water Meter Co., Ltd is one of leading manufacturer of water meters and flow meters in China. The company also provides total solutions for smart flow metering, control, telemetry and smart water meter reading system.



**SHEINGDA**  
Fluid technology

Kaifeng Shengda Water Meter Co., Ltd

✉ [admin@henanpanda.com](mailto:admin@henanpanda.com)

☎ mobile +86 18603780816

🌐 [www.sdflowmeter.com](http://www.sdflowmeter.com)